



MARKSCHEME

May 2012

MATHEMATICS DISCRETE MATHEMATICS

Higher Level

Paper 3

11 pages

*This markscheme is **confidential** and for the exclusive use of examiners in this examination session.*

*It is the property of the International Baccalaureate and must **not** be reproduced or distributed to any other person without the authorization of IB Cardiff.*

Instructions to Examiners

Abbreviations

- M** Marks awarded for attempting to use a correct **Method**; working must be seen.
- (M)** Marks awarded for **Method**; may be implied by **correct** subsequent working.
- A** Marks awarded for an **Answer** or for **Accuracy**; often dependent on preceding **M** marks.
- (A)** Marks awarded for an **Answer** or for **Accuracy**; may be implied by **correct** subsequent working.
- R** Marks awarded for clear **Reasoning**.
- N** Marks awarded for **correct** answers if **no** working shown.
- AG** Answer given in the question and so no marks are awarded.

Using the markscheme

1 General

Mark according to scoris instructions and the document “**Mathematics HL: Guidance for e-marking May 2012**”. It is **essential** that you read this document before you start marking. In particular, please note the following.

Marks must be recorded using the annotation stamps. Please check that you are entering marks for the right question.

- If a part is **completely correct**, (and gains all the ‘must be seen’ marks), use the ticks with numbers to stamp full marks.
- If a part is completely wrong, stamp **A0** by the final answer.
- If a part gains anything else, it **must** be recorded using **all** the annotations.

All the marks will be added and recorded by scoris.

2 Method and Answer/Accuracy marks

- Do **not** automatically award full marks for a correct answer; all working **must** be checked, and marks awarded according to the markscheme.
- It is not possible to award **M0** followed by **AI**, as **A** mark(s) depend on the preceding **M** mark(s), if any.
- Where **M** and **A** marks are noted on the same line, *e.g.* **MIAI**, this usually means **MI** for an **attempt** to use an appropriate method (*e.g.* substitution into a formula) and **AI** for using the **correct** values.
- Where the markscheme specifies (**M2**), **N3**, *etc.*, do **not** split the marks.
- Once a correct answer to a question or part-question is seen, ignore further working.

3 **N marks**

Award **N** marks for **correct** answers where there is **no** working.

- Do **not** award a mixture of **N** and other marks.
- There may be fewer **N** marks available than the total of **M**, **A** and **R** marks; this is deliberate as it penalizes candidates for not following the instruction to show their working.

4 **Implied marks**

Implied marks appear in **brackets e.g. (MI)**, and can only be awarded if **correct** work is seen or if implied in subsequent working.

- Normally the correct work is seen or implied in the next line.
- Marks **without** brackets can only be awarded for work that is **seen**.

5 **Follow through marks**

Follow through (**FT**) marks are awarded where an incorrect answer from one **part** of a question is used correctly in **subsequent** part(s). To award **FT** marks, **there must be working present** and not just a final answer based on an incorrect answer to a previous part.

- If the question becomes much simpler because of an error then use discretion to award fewer **FT** marks.
- If the error leads to an inappropriate value (e.g. $\sin \theta = 1.5$), do not award the mark(s) for the final answer(s).
- Within a question part, once an error is made, no further **dependent A** marks can be awarded, but **M** marks may be awarded if appropriate.
- Exceptions to this rule will be explicitly noted on the markscheme.

6 **Mis-read**

If a candidate incorrectly copies information from the question, this is a mis-read (**MR**). A candidate should be penalized only once for a particular mis-read. Use the **MR** stamp to indicate that this has been a misread. Then deduct the first of the marks to be awarded, even if this is an **M** mark, but award all others so that the candidate only loses one mark.

- If the question becomes much simpler because of the **MR**, then use discretion to award fewer marks.
- If the **MR** leads to an inappropriate value (e.g. $\sin \theta = 1.5$), do not award the mark(s) for the final answer(s).

7 **Discretionary marks (d)**

An examiner uses discretion to award a mark on the rare occasions when the markscheme does not cover the work seen. In such cases the annotation **DM** should be used and a brief **note** written next to the mark explaining this decision.

8 Alternative methods

Candidates will sometimes use methods other than those in the markscheme. Unless the question specifies a method, other correct methods should be marked in line with the markscheme. If in doubt, contact your team leader for advice.

- Alternative methods for complete questions are indicated by **METHOD 1**, **METHOD 2**, etc.
- Alternative solutions for part-questions are indicated by **EITHER . . . OR**.
- Where possible, alignment will also be used to assist examiners in identifying where these alternatives start and finish.

9 Alternative forms

Unless the question specifies otherwise, **accept** equivalent forms.

- As this is an international examination, accept all alternative forms of **notation**.
- In the markscheme, equivalent **numerical** and **algebraic** forms will generally be written in brackets immediately following the answer.
- In the markscheme, **simplified** answers, (which candidates often do not write in examinations), will generally appear in brackets. Marks should be awarded for either the form preceding the bracket or the form in brackets (if it is seen).

Example: for differentiating $f(x) = 2\sin(5x - 3)$, the markscheme gives:

$$f'(x) = (2\cos(5x - 3))5 \quad (=10\cos(5x - 3)) \quad \text{AI}$$

Award **AI** for $(2\cos(5x - 3))5$, even if $10\cos(5x - 3)$ is not seen.

10 Accuracy of Answers

Candidates should **NO LONGER** be penalized for an accuracy error (**AP**).

If the level of accuracy is specified in the question, a mark will be allocated for giving the answer to the required accuracy. When this is not specified in the question, all numerical answers should be given exactly or correct to three significant figures. Please check work carefully for **FT**.

11 Crossed out work

If a candidate has drawn a line through work on their examination script, or in some other way crossed out their work, do not award any marks for that work.

12 Calculators

A GDC is required for paper 3, but calculators with symbolic manipulation features (e.g. TI-89) are not allowed.

Calculator notation

The Mathematics HL guide says:

Students must always use correct mathematical notation, not calculator notation.

Do **not** accept final answers written using calculator notation. However, do not penalize the use of calculator notation in the working.

13 More than one solution

Where a candidate offers two or more different answers to the same question, an examiner should only mark the first response unless the candidate indicates otherwise.

1. (a) $2347 = 19 \times 123 + 10$ *MIAI*
 $(123 = 12 \times 10 + 3)$
 $10 = 3 \times 3 + 1$ *AI*
 $1(\text{gcd}) = 10 - 3 \times 3 = 10 - 3 \times (123 - 12 \times 10)$ *MIAI*
 $= 37 \times 10 - 3 \times 123$ *AI*
 $= 37 \times (2347 - 19 \times 123) - 3 \times 123$ (for continuation) *MI*
 $= 37 \times 2347 - 706 \times 123$ *AI*
[8 marks]
- (b) **EITHER**
 $1(\text{mod } 2347) = (-706 \times 123)(\text{mod } 2347)$ *MIAI*
OR
 $x = -706 + 2347n$ *MIAI*
solution: 1641 *AI*
[3 marks]
- (c) $5(\text{mod } 2347) = (-3530 \times 123)(\text{mod } 2347)$ *(MI)*
GS: $z = -3530 + k2347$ *AIAI*

Note: Other common possibilities include $1164 + k2347$ and $8205 + k2347$.

[3 marks]
- (d) empty set (123 and 2346 both divisible by 3) *AI*
[1 mark]
Total [15 marks]

2. setting out the algorithm in a clear form, which could mean just giving the 3rd column. **MI**

vertex set	adjacent vertices	edge chosen	length	total length
G	D, E, F	GF	1	1
G, F	E, D	GE	3	4
G, F, E	C, B, D	ED	2	6
G, F, E, D	C, B	EC	4	10
G, F, E, D, C	A, B	CA	2	12
G, F, E, D, C, A	B	AB	5	17

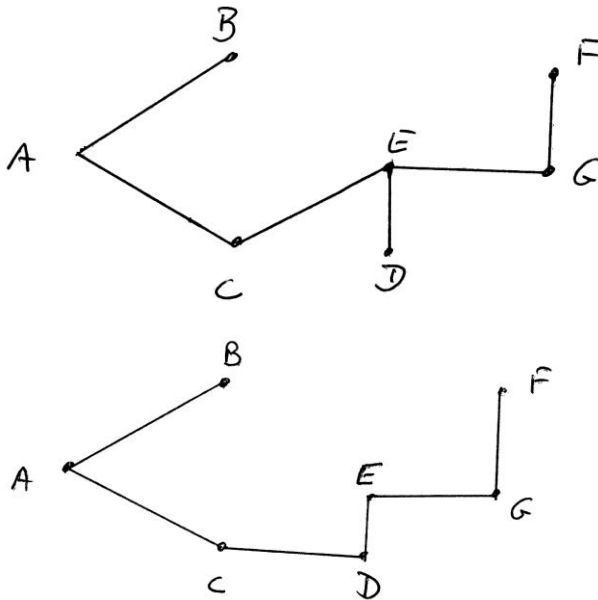
A4

Note: Award **A1** for each of the edges added in the first, second, fourth and sixth rows of the calculation. These marks are independent of one another. Alternatively, DC could be chosen in row four instead of EC. Columns 4 and 5 are included for the benefit of examiners.

the two trees drawn

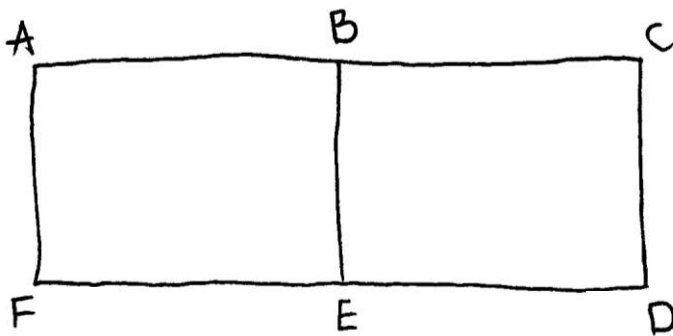
A1A1

N2



Total [7 marks]

3. (a)



A2

Note: Award **A1** if only one error, **A0** for two or more.

[2 marks]

continued ...

Question 3 continued

- (b) the (k, k) element of M^2 is the number of vertices directly connected to vertex k

AI

Note: Accept comment about the number of walks of length 2, in which the initial and final vertices coincide.

[1 mark]

- (c) attempt to calculate the $(1, 3)$ element of M^4
obtain 8 (for the record M^4 is given below)

(M1)

AI

$$\begin{bmatrix} 9 & 0 & 8 & 0 & 12 & 0 \\ 0 & 17 & 0 & 12 & 0 & 12 \\ 8 & 0 & 9 & 0 & 12 & 0 \\ 0 & 12 & 0 & 9 & 0 & 8 \\ 12 & 0 & 12 & 0 & 17 & 0 \\ 0 & 12 & 0 & 8 & 0 & 9 \end{bmatrix}$$

[2 marks]

- (d) the trails of length 4 are ABEDC, AFEDC, AFEBC

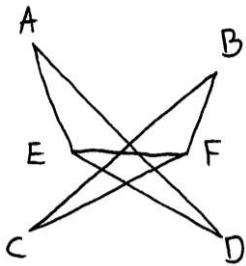
AIAIAI

Note: *AIAIAI* for three correct with no additions; *AIAIA0* for all correct, but with additions; *AIA0A0* for two correct with or without additions.

[3 marks]

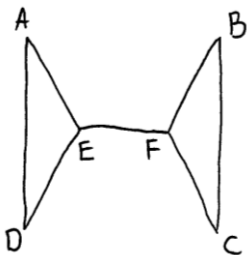
Total [8 marks]

4. (a) as a first step, form the following graph



(M1)(AI)

make it planar



AI

[3 marks]

continued ...

Question 4 continued

(b) (i) an edge joins a pair of vertices **RI**
 there is a maximum of $\binom{v}{2} = \frac{1}{2}v(v-1)$ possible unordered pairs of
 vertices, hence displayed result **AIAG**

(ii) an edge joins two vertices in G' if it does not join them in G and
vice versa; all possible edges are accounted for by the union of the
 two graphs **RI**
 $e + e' = \frac{1}{2}v(v-1)$ **AI**

(iii) the two graphs have the same number of edges **RI**
 $\Rightarrow e = \frac{1}{4}v(v-1)$ **AI**
 v and $v-1$ are consecutive integers, so only one can be divisible by 4,
 hence displayed result **AIAG**

(iv) the required graphs have four vertices and three edges **AI**
 if one vertex is adjacent to the other three, that uses up the edges;
 the resulting graph, necessarily connected, has a disconnected
 complement, and *vice versa* **RI**
 if one vertex is adjacent to two others, that uses up two edges; the
 final vertex cannot be adjacent to the first; the result is the linear
 connected graph **AI**
 state it is isomorphic to its complement **AI** **N2**

Note: Alternative proofs are possible, but should include the final statement for full marks.

(v) using $e \leq 3v - 6$ for planar graphs **MI**
 $\frac{1}{2}v(v-1) = e + e' \leq 6v - 12$ **AI**
 $v^2 - 13v + 24 \leq 0$ is not possible for $v \geq 11$ **RI**
[14 marks]

Total [17 marks]

5. (a) $2^{2003} = 2^5 \times (2^6)^{333}$ *MIAI*
 $\equiv 32 \times 1 \pmod{7}$ by Fermat's little theorem *AI*
 $\equiv 4 \pmod{7}$ *AG*
[3 marks]
- (b) $2003 = 3 + 10 \times 200$ *(MI)*
 $2^{2003} = 2^3 \times (2^{10})^{200} (\equiv 8 \times 1 \pmod{11}) \equiv 8 \pmod{11}$ *AI*
 $2^{2003} = 2^{11} \times (2^{12})^{166} \equiv 7 \pmod{13}$ *AI*
[3 marks]
- (c) form $M_1 = \frac{1001}{7} = 143$; $M_2 = \frac{1001}{11} = 91$; $M_3 = \frac{1001}{13} = 77$ *MI*
solve $143x_1 \equiv 1 \pmod{7} \Rightarrow x_1 = 5$ *MIAI*
 $x_2 = 4$; $x_3 = 12$ *AIAI*
 $x = 4 \times 143 \times 5 + 8 \times 91 \times 4 + 7 \times 77 \times 12 = 12240 \equiv 228 \pmod{1001}$ *MIAI*
[7 marks]
Total [13 marks]
-